

# Torishima Pump Global Network



## East Asia

- 1 Torishima Pump Mfg. Co., Ltd. ■ ■  
1-1-8 Miyata-cho, Takatsuki-city, Osaka 569-8660 Japan  
Tel : +81-72-690-2308 / Fax : +81-72-690-2329
- 2 Kyushu Torishima Co., Ltd. ■  
9857-13, Ohaza Kawako, Wakagi-cho, Takeo-city,  
Saga 840-0813 Japan  
Tel : +81-954-26-3081 / Fax : +81-954-26-3080
- 3 Torishima Pump Mfg. Co., Ltd.  
Beijing Office  
Rm707, Building 1, KUNSHA CENTER,  
No.16 Xinyuanli, Chaoyang District,  
Beijing, P.R.China PC:100027  
Tel : +86-10-84682891 / Fax : +86-10-84682890
- 4 Torishima Pump (Tianjin) Co., Ltd. ■  
No.9 Gaoxin Road, Wuqing Development Zone,  
Tianjin, P.R.China PC:301700  
Tel : +86-22-59695601 / Fax : +86-22-59695609
- 5 Torishima (Hong Kong) Ltd. ■ ■  
Unit A, 21/F., Tower A, Billion Centre,  
1 Wang Kwong Road, Kowloon Bay, Kowloon,  
Hong Kong  
Tel : +852-2795-1838 / Fax : +852-2754-3293

## South East Asia

- 6 Torishima (Hong Kong) Ltd.  
Vietnam Office  
No.76 Bui Thi Xuan Street, Hai Ba Trung District,  
Hanoi, Socialist Republic of Vietnam  
Tel : +84-4-943-7880 / Fax : +84-4-943-7876
- 7 Torishima Pump Mfg. Co., Ltd.  
Singapore Office  
82 Toh Guan Road East, #C2-14-4 WaterHub,  
Singapore 608576  
Tel : +65-6779-0123 / Fax : +65-6779-6900
- 8 Torishima Service Solutions  
Asia Pte. Ltd. ■  
48, Toh Guan Road East, #02-142,  
Enterprise Hub, Singapore 608586  
Tel : +65-6933-8772 / Fax : +65-6933-8777

- 9 P.T. Torishima Guna Engineering ■ ■  
10 P.T. Torishima Guna Indonesia ■  
Jalan Rawa Sumur Timur No.1 Pulogadung  
Industrial Estate, P.O.Box 1160, Jakarta, Indonesia  
Tel : +62-21-460-3963 / Fax : +62-21-460-3937
- 11 P.T. Geteka Founindo ■  
JL Pulo Ayang Kav. AA2 Pulogadung Industrial  
Estate, P.O.Box 1160 JAT, Jakarta 13011 Indonesia  
Tel : +62-21-460-3963 / Fax : +62-21-460-3937

## South Asia

- 12 Torishima Pumps India Pvt. Ltd.  
302 & 302A, 3rd Floor, Tower-B, Millennium Tower,  
Sector27, Gurgaon-122002, Haryana, India  
Tel : +91-124-4728950 / Fax : +91-124-4728950
- 13 Torishima Pumps India Pvt. Ltd.  
Service Division ■  
Plot No. 27 B, C, D, Hoskote KIADB Industrial Area,  
Chokkahlalli Village, Kasaba Hobli, Hoskote Taluk,  
Bangalore-562114, Karnataka, India  
Tel : +91-80-39581000 / Fax : +91-80-39581010

## Oceania

- 14 Torishima Australia Pty. Ltd.  
643-645 Glenhuntly Road,  
Caulfield South VIC 3162 Australia  
Tel : +61-3-9523-7998

## Middle East

- 15 Torishima Service Solutions FZCO ■ ■  
Plot of Land TP010501 Techno Park-Jebel Ali,  
PO Box. 37603 Dubai, U.A.E.  
Tel : +971-4-880-7344 / Fax : +971-4-880-7354
- 16 Torishima Pump Mfg. Co., Ltd.  
Middle East Office  
Office No.901, Deluxe Tower, Delma Street,  
Al Nahyan Camp Area, P.O.Box 53567,  
Abu Dhabi, U.A.E.  
Tel : +971-2-674-3880 / Fax : +971-2-674-3881
- 17 Torishima Pump Mfg. Co., Ltd.  
Qatar Project Office  
Office No.11,1st Floor, West Corner Centre,  
Salwa Road-Midmac R/A,  
P.O.Box 37027 Doha, Qatar  
Tel : +974-4450-6915 / Fax : +974-4450-6916

- 18 Torishima Pump Mfg.Co.,Ltd.  
Saudi Arabia Office  
Al Riyadh, Al Khair Plaza, Office No.2  
Al Amir Muhd IBN A.A. Road, Althalea  
SP-643351929, Kingdom of Saudi Arabia  
Tel : +966-1-1293-1355

## Europe

- 19 Torishima Europe Ltd.  
2 Colliery Gate, Clyde Gateway East, Glasgow  
G32 8RH Scotland, UK  
Tel : +44-1236-443951 / Fax : +44-1236-702875
- 20 Torishima Service Solutions  
Europe Ltd. ■  
2 Colliery Gate, Clyde Gateway East, Glasgow  
G32 8RH Scotland, UK  
Tel : +44-1236-442390 / Fax : +44-1236-702875
- 21 Torishima Europe Projects Ltd.  
Torishima House, Brook Lane, Westbury,  
Wiltshire BA13 4ES England, UK  
Tel : +44-1373-858143
- 22 Torishima Europe Ltd. Madrid Office  
Avda, Fuente Nueva 12, 28703  
San Sebastian de los Reyes, Madrid, Spain  
Tel : +34-91-002-7541 / Fax : +34-91-284-6901
- 23 Torishima Europe Ltd. Poland Office  
ul. Pomianowska 7, 03-136 Warszawa, Poland  
Tel : +48-604-557-137

## North America

- 24 Torishima Pump Mfg. Co., Ltd.  
North America East Office  
100 Grove Street, Suite 217, Worcester  
MA 01605-2654 U.S.A.  
Tel : +1-508-753-6600 / Fax : +1-508-753-8276

## Central America

- 25 Torishima Europe Ltd. Mexico Office  
Av Paseo de La Reforma 350,11th floor,  
Juárez,Cuauhtémoc, 06600  
Ciudad de México,D.F., México  
Tel : +52-55-9171-1426 / Fax : +52-55-9171-1499

# CFV

## Vertical Mixed-Flow Volute Pump



# Vertical Mixed-Flow Volute Pump

TORISHIMA CFV vertical mixed-flow volute pumps in sizes from 200mm to 3000mm are ideally suited for relay pumps in sewage treatment facilities.

## Applications

- **Sewerage** : Rain water drainage, Sewage transfer
- **Water works** : Water intake, Boosting, Distribution
- **Agriculture** : Irrigation and Drainage

## Operating Range

Total head : 5 to 100m (16 to 320ft)

Capacity : 180 to 72,000m<sup>3</sup>/h (790 to 317,000 USgpm)

Size : 200 to 3,000mm (8 to 120")

(In addition to the above operating range, special and larger to size pumps are also available)

## Design Features

1. Solids handling design to prevent clogging of the pump casing and impeller.
2. Ease of Maintenance  
The rotating assembly can be withdrawn from the casing without disconnecting the pipings.
3. Vertical construction saves installation space.
4. Flexible installation single-floor type, two and three-floor type installations available.



Sewage pumps (size : 450mm), Japan



Intake pumps in city water plant (size : 800mm), Hong Kong



Sewage pumps (size : 1,300 × 1,100mm), Hong Kong



Fabricating volute casing of 3,000mm size drainage pump, Japan

# Best Suited Design for Sewage

## Bearings

- Grease lubricated ball bearings
- Axial thrust is supported by pump
- Optional bearing arrangements are available to large applications

## Volute casing

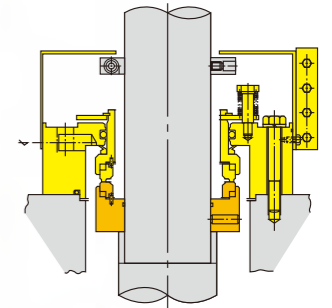
- The casing supported by rigid pump feet
- Provided with an inspection window to ease internal inspection

## Impeller nut

Impeller nut is profiled to match the inlet flow conditions. Therefore the risk of clogging with stringy material is minimal.

## Shaft seal options

- Gland packing
  - Mechanical seal
- Non flushing mechanical seal**  
Because of the self-lubricating feature, external water source is unnecessary.  
When the pump has to be operated for a long time, a large amount of water for lubrication can be saved tremendously.

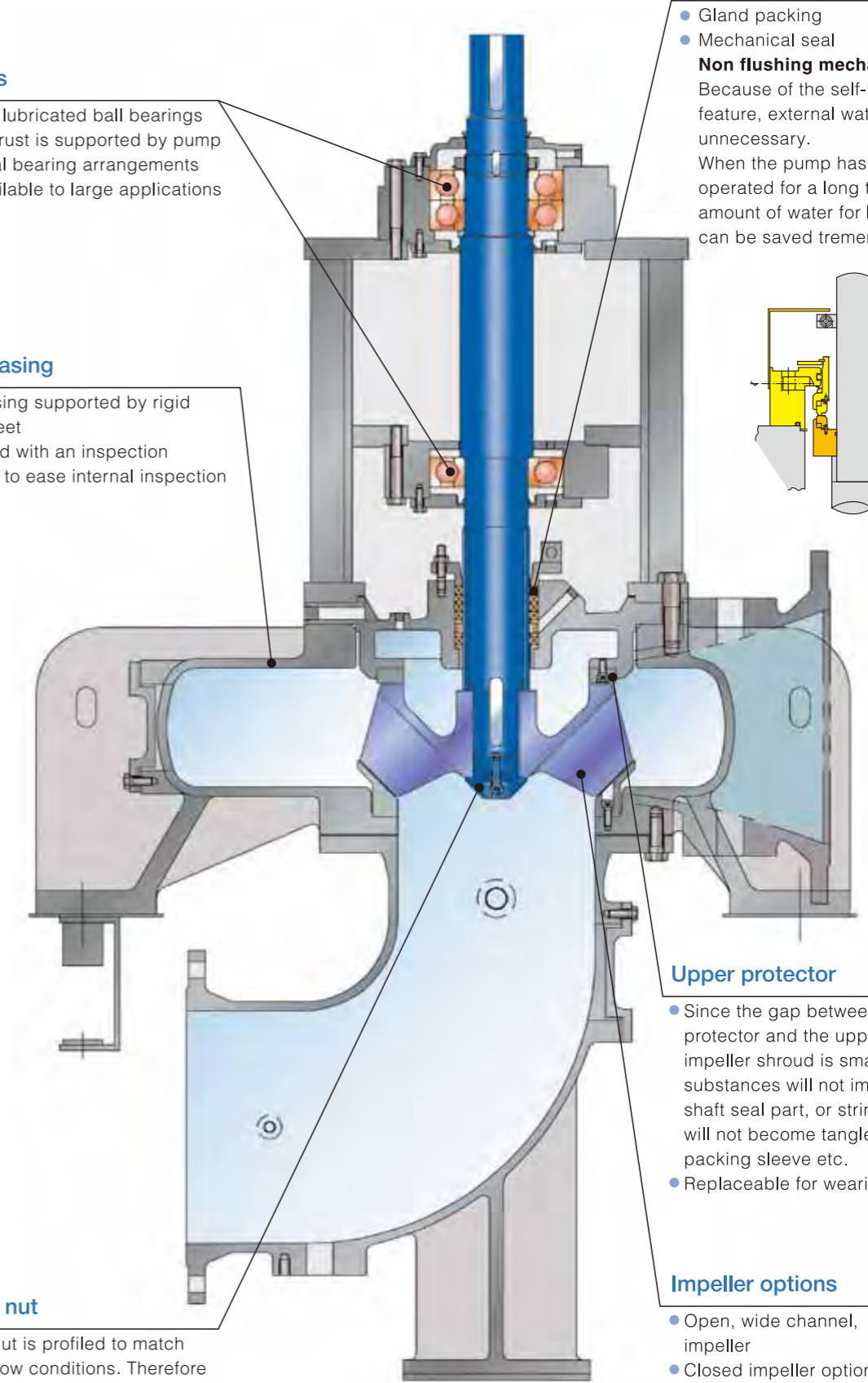


## Upper protector

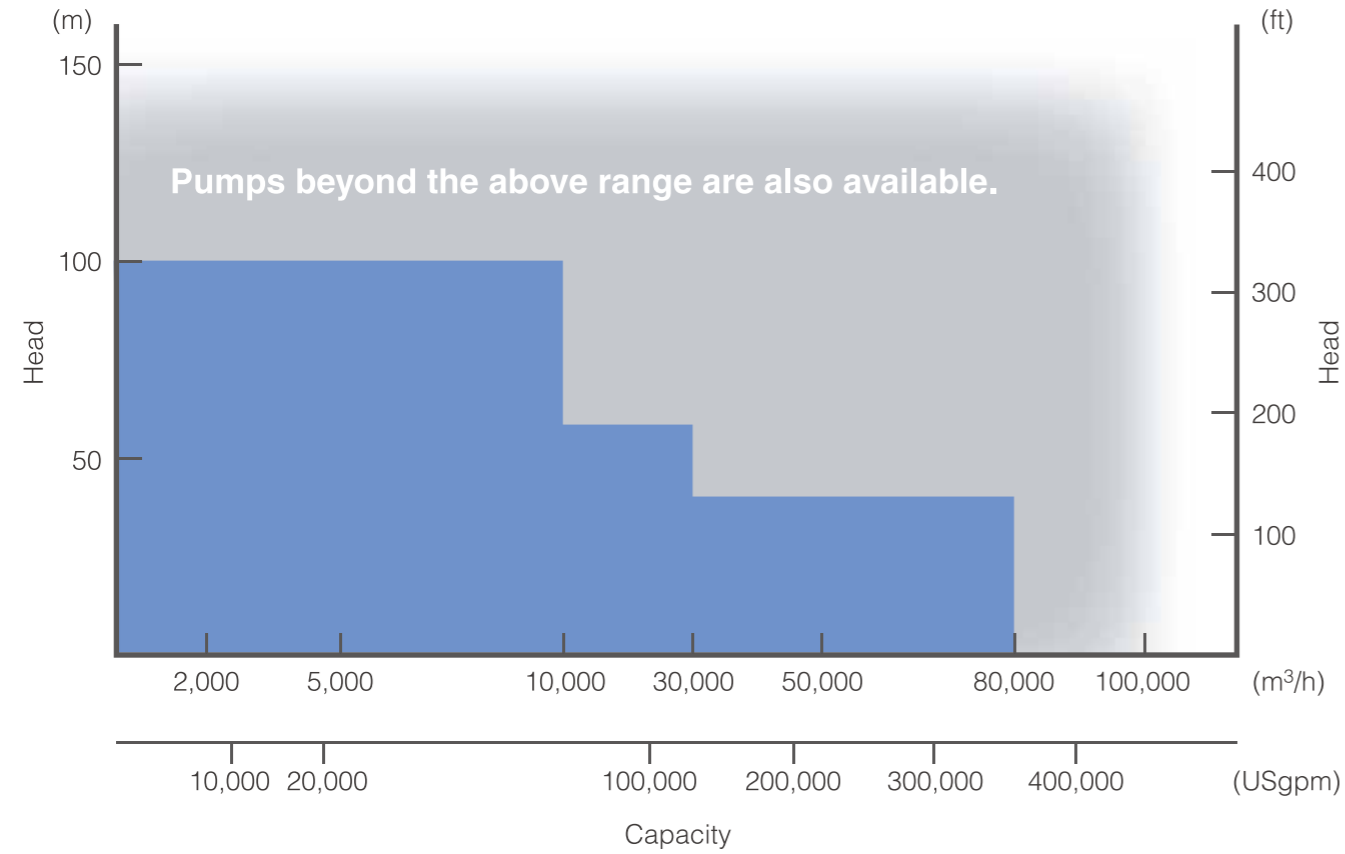
- Since the gap between the upper protector and the upper part of the impeller shroud is small, foreign substances will not impinge on the shaft seal part, or string-like ones will not become tangled up with the packing sleeve etc.
- Replaceable for wearing

## Impeller options

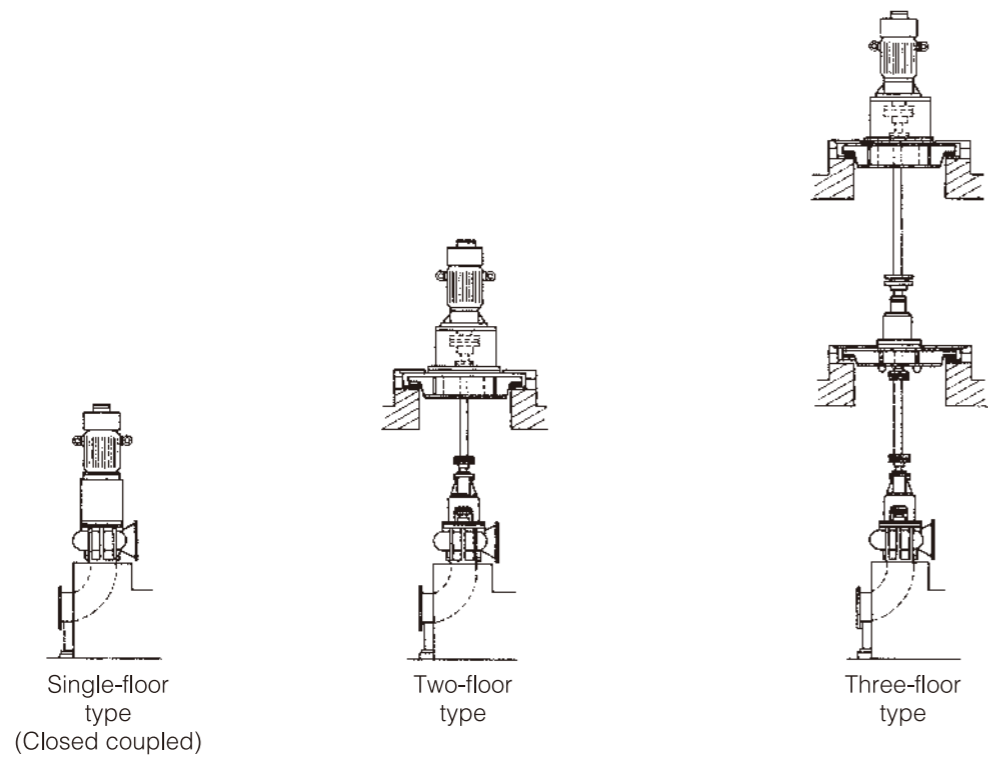
- Open, wide channel, non-clogging impeller
- Closed impeller option  
For sewage application, the number of vanes can be reduced according to the condition of sewage



# Performance Range



# Installation Options



# Example of Installation

Four-Floor Type Installation  
size : 600mm

