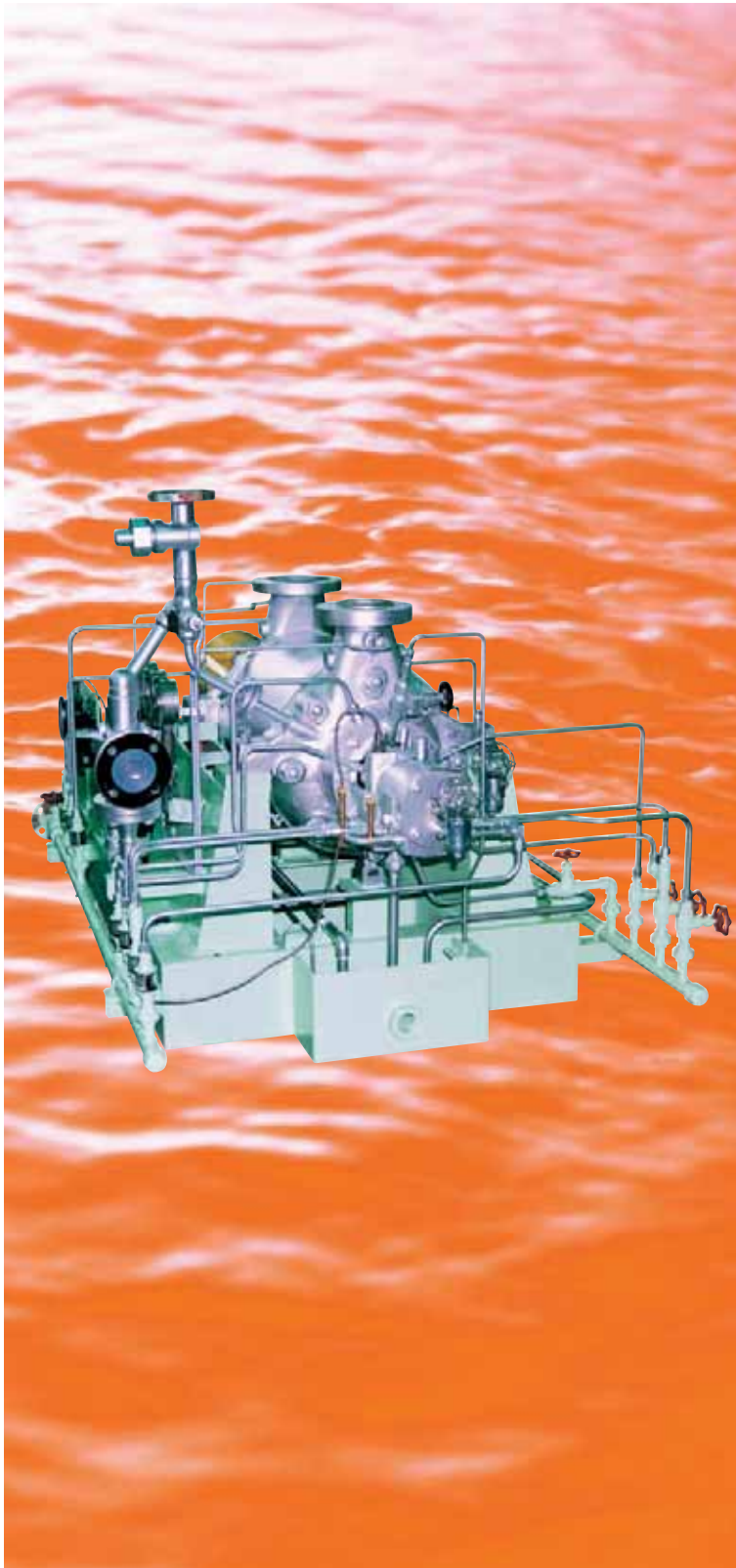


# MHD

Ring Section High Pressure Pumps



TORISHIMA PUMP

# MHD-E, MHD-F Multistage Ring Section High Pressure Pumps

## Introduction

TORISHIMA model MHD series are ring-sectional, multi-stage type high pressure pumps which have been developed from our extensive experience in manufacturing, supplying and operation of pumps for power plants and in conjunction with our R&D.

With its superior reliability and economical operation, these high performance pumps are applied for not only boiler feed pumps but also high pressure pumps in all kind of industries.

## Applications

- Boiler feed
- Reverse osmosis seawater desalination
- High pressure service for all kind of industries

## Performance Range

Size	50 to 125mm (2 to 5")
Capacity	up to 300m <sup>3</sup> /hr (1320U.S.gpm)
Max. suction pressure	up to 30bar (420psi)
Max. discharge pressure	up to 140bar (2050psi)
Operating temperature	-10 to 180°C (14 to 356°F)

## Features

### 1. High reliability and durability

High reliability and durability by superior materials and precise manufacturing know-how under strict quality control.

### 2. Excellent hydraulic characteristics

As the impeller and diffuser are designed to be high efficiency, low NPSH and stable head/capacity curves in wide range and effective operation is ensured.

### 3. Simple construction and easy maintenance

The construction is simplified and less components are used. Overhaul can be easily carried out, and number of spare parts reduced.

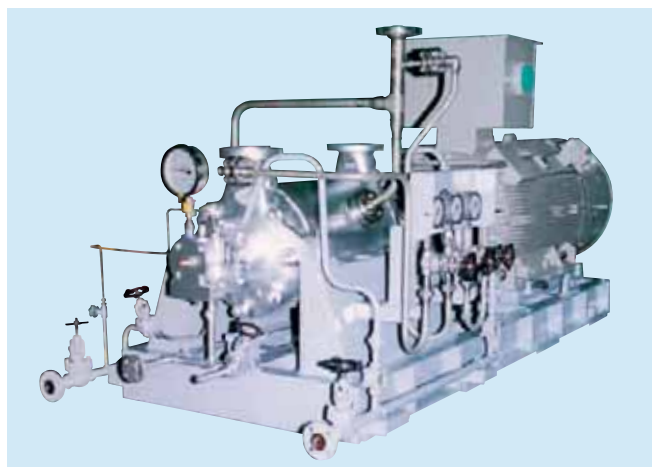
### 4. Brief delivery

Under parts stock control system, these pumps are completely standardized for fast shipment.

## Materials

■ Suction casing	Cast Iron, Ni-Cr Cast Iron, Cast Steel
■ Discharge Casing	Cast Steel
■ Stage casing	Cast Iron, Ni-Cr Cast Iron, Cast Steel
■ Diffuser	Cast Iron, Ni-Cr Cast Iron, Cast Bronze, 13% Chrome Steel
■ Shaft	Carbon Steel, Stainless Steel
■ Impeller	Cast Iron, Ni-Cr Cast Iron, Cast Bronze, 13% Chrome Steel
■ Balancing disk	Stainless Steel
■ Balancing disk seat	Stainless Steel
■ Tie bolt	Nickel Chrome Molybdenum Steel

**Note** · The materials of parts are changeable according to liquid and temperature. (ex. sus316, Duplex, Super Duplex)



## Rational Design

- Casing support at shaft centerline prevents vibration caused from the thermal expansion of suction/discharge casings.
- According to excellent hydraulic design and standardization, programs of products are excellent for NPSH, price and operating cost.
- The interface at the respective stages are sealed perfectly by metallic sealing faces with back-up O-rings and clamped together by strong tie bolts.

### Bearings

- Coupling side : Roller bearing
- Anti-coupling side : Roller bearing
- ※Journal bearing can be supplied on request.

### Nozzle orientation

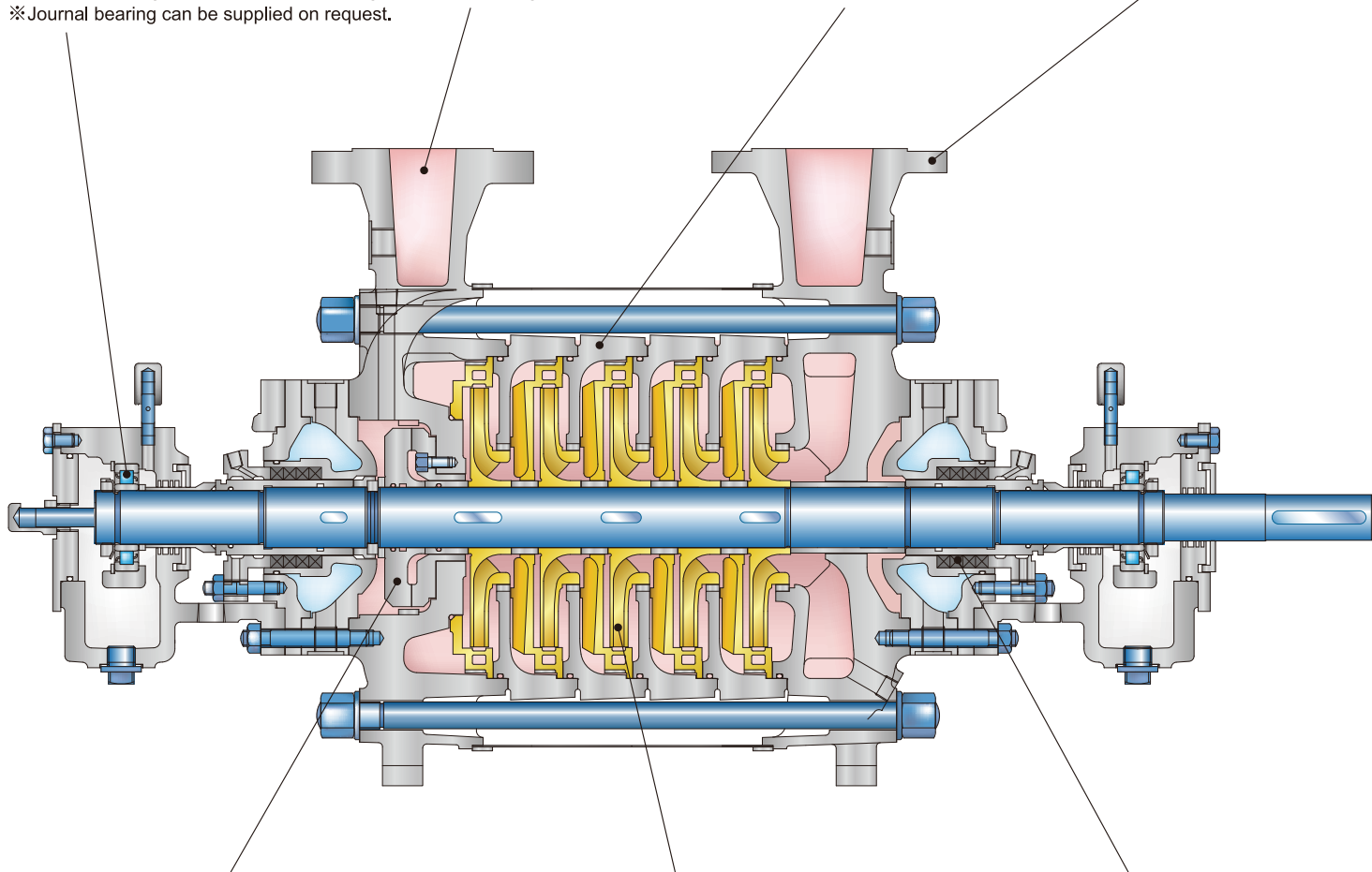
- Suction nozzle : Top
- Discharge nozzle : Top

### Casing

- Ring-section single casing
- Feet at shaft centerline

### Flange

- JIS, ANSI, DIN



### Balancing device

The axial thrust is compensated by the balancing disc & seat at the discharge end of the pump.

### Impeller

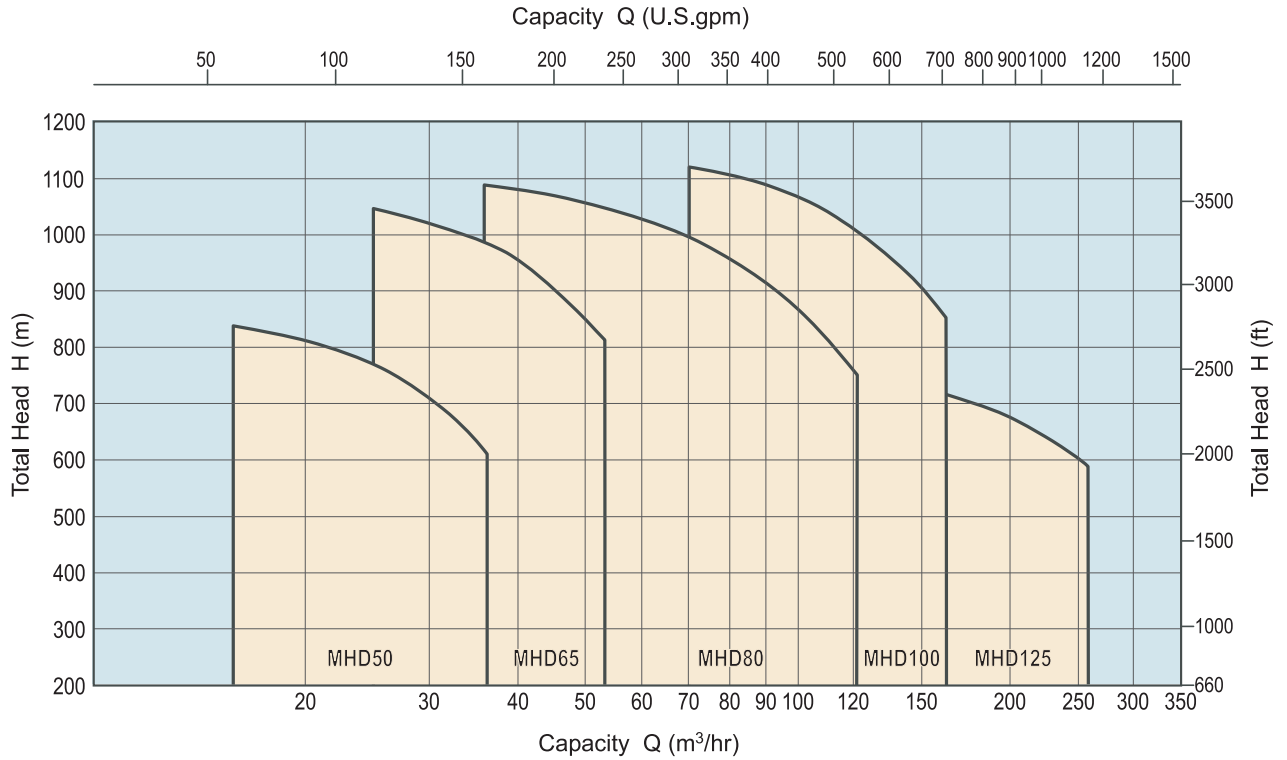
Closed impeller of three dimensions

### Shaft seal

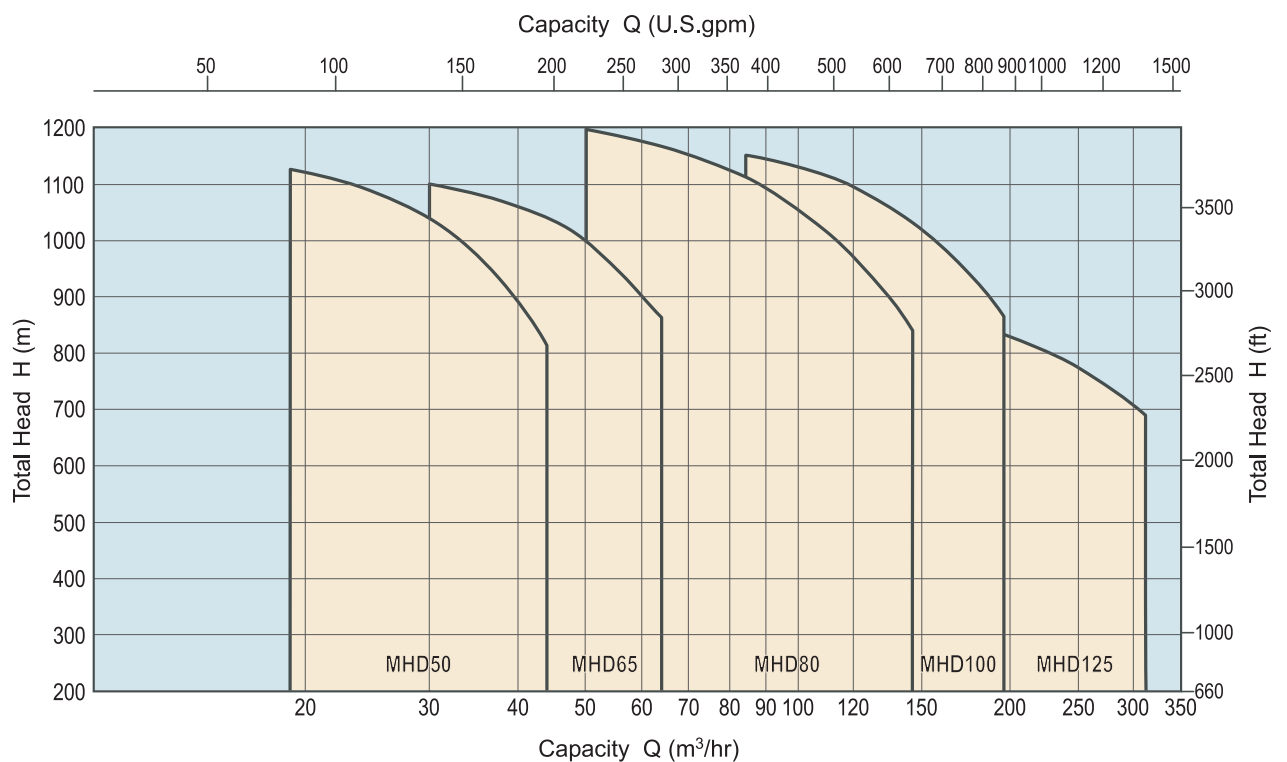
- Packed gland
- Mechanical seal

## Selection Charts

■ **50Hz-2P**  
(2900min<sup>-1</sup>)



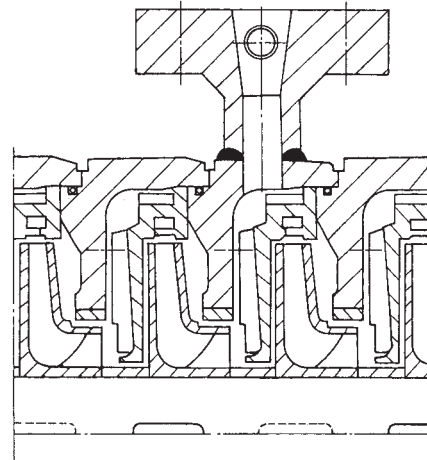
■ **60Hz-2P**  
(3500min<sup>-1</sup>)



## Additional Design Options

### Bleeding from stage casing

If situation requires lower pressurized water than the discharge pressure of the pump, ring-sectional casing pumps can be easily extracted the pressurized water from suitable middle casing or casings by an extraction pipe in necessary.



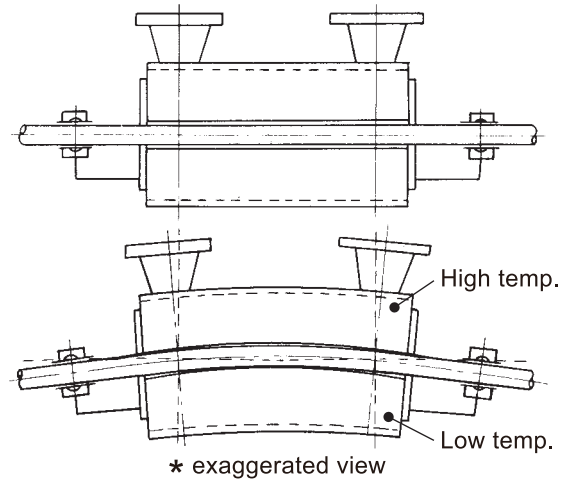
### Start-up from ambient temperature condition

For a ring-sectional single casing pump it is possible to start-up quickly and it is not necessary to warm the pump from cold water or ambient condition.

The figure on the right shows distortion of a pump because of difference of temperature.

In general, the upper part of the casing expands more than the lower part because of difference of temperature inside the pump. Since the MHD type pump casings are tightened each other by strong tie-bolts outside to prevent for the above mentioned influence, even large size pump can start up from the cold water without warming.

(Warming or circulator can be supplied on request.)

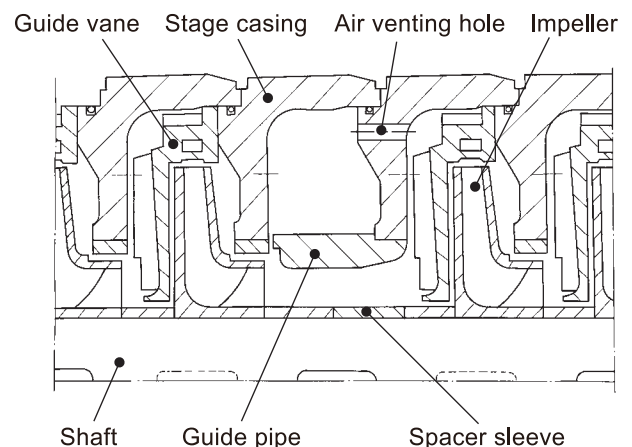


### Blind stage

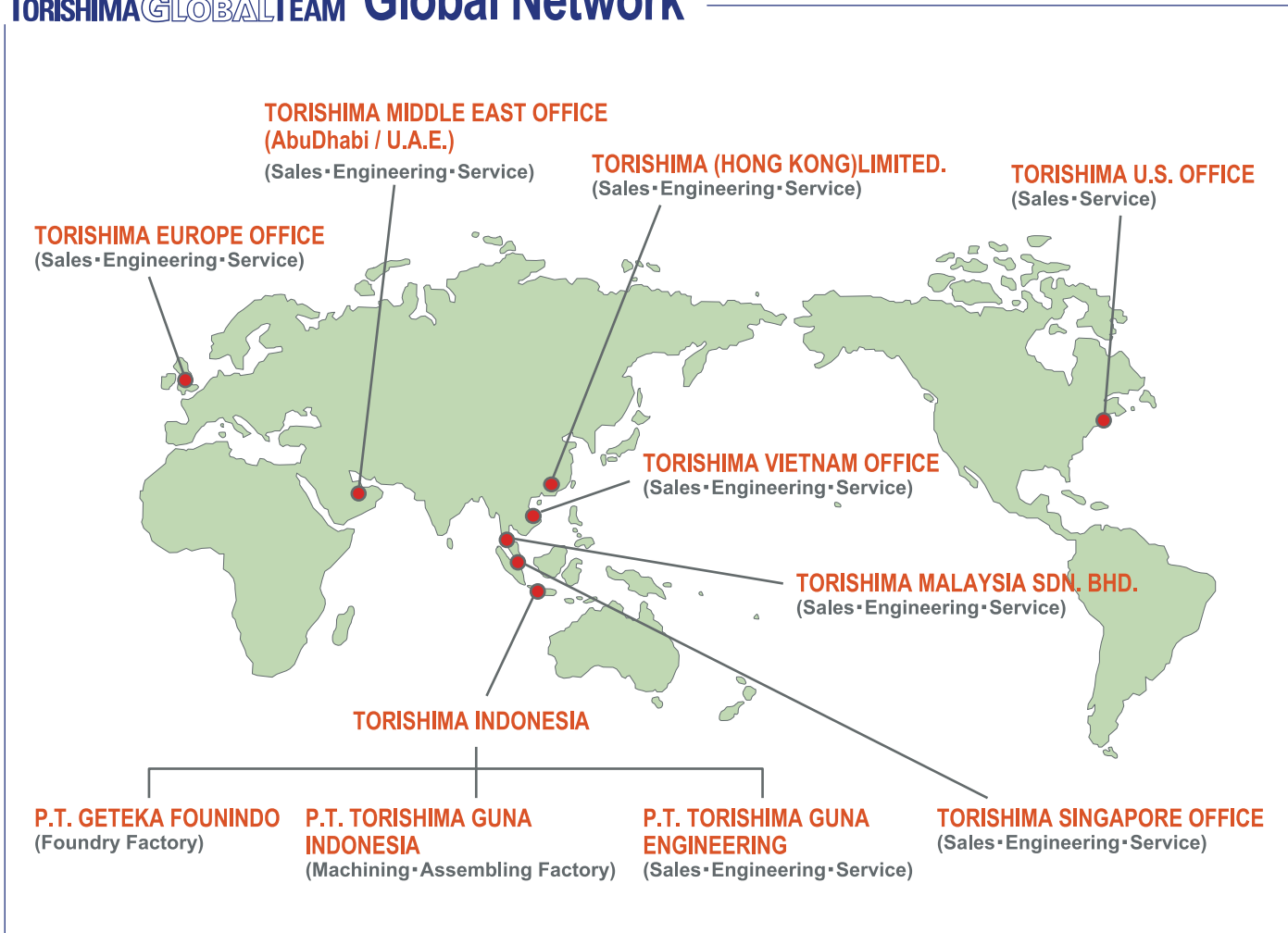
This method is applicable to multistage pumps that require a reduction in pump head, temporarily or permanently, or require future uprating of the head, without changing the pump casing size.

After removing the required of impellers and guide vanes corresponding to the head to be reduced, guide pipes and spacer sleeves are inserted respectively.

This method is applied to intermediate stage impellers only. If it is necessary to remove more than one stage impeller, allow a space of one or more stages is left rather than arranging the blank stages successively.







**TORISHIMA PUMP MFG. CO.,LTD.**

Head Office & Works: 1-1-8, Miyata-cho, Takatsuki City, Osaka, Japan. Phone: 072-695-0551 Fax: 072-693-1288

**TORISHIMA HONG KONG**

**TORISHIMA (HONG KONG) LIMITED**  
 Unit 605, 6/F., Tower II, Enterprise Square,  
 9 Sheung Yuet Road, Kowloon Bay,  
 Kowloon, Hong Kong  
 Phone: (852)2795-1838 Fax: (852)2754-3293

**TORISHIMA INDONESIA**

**P.T. TORISHIMA GUNA INDONESIA**  
 Jalan Rawa Sumur Timur No.1, Pulogadung  
 Industrial Estate, P.O Box.:1160,  
 Jakarta Indonesia  
 Phone: (62)021-460-3963 Fax:(62)021-460-3937

**TORISHIMA U.A.E.**

**MIDDLE EAST OFFICE**  
 5th Floor, office No.503, Al Salmeen  
 Golden Tower, P.O Box.:72197,  
 Electra Street, Abu Dhabi. U.A.E.  
 Phone: (971)2-6743880 Fax:(971)2-6743881

**TORISHIMA VIETNAM**

**VIETNAM OFFICE**  
 No.76 Bui Thi Xuan Street, Hai Ba Trung  
 District, Hanoi, Socialist Republic of Vietnam  
 Phone: (84)4-943-7880 Fax: (84)4-943-7876

**P.T. TORISHIMA GUNA ENGINEERING**

Jalan Rawa Sumur Timur No.1, Pulogadung  
 Industrial Estate, P.O Box 1160  
 Jakarta Indonesia  
 Phone: (62)021-460-3963 Fax:(62)021-460-3937

**TORISHIMA U.K.**

**EUROPE OFFICE**  
 c/o Krg Industries Ltd, Russel Colt St,  
 Coatbridge Lanarkshire ML5 2BN, Scotland  
 Phone: (44)1236 441630 Fax:(44)1236 702875

**TORISHIMA SINGAPORE**

**SINGAPORE OFFICE**  
 30 Ubi Crescent #01-02 Ubi Techpark  
 Singapore 408566  
 Phone: (65)6779-0123 Fax: (65)6779-6900

**P.T. GETEKA FOUNINDO(Foundry Factory)**

JL Pulo Ayang Kav. AA2 Pulogadung  
 Industrial Estate P.O Box 1160 JAT  
 Jakarta 13011, Indonesia  
 Phone: (62)021-460-3963 Fax: (62)021-460-3937

**TORISHIMA U.S.A.**

**U.S.A. OFFICE**  
 82B Daniels Road, Charlton,  
 MA01507, the United States of America  
 Phone: (1)866-374-1130 Fax:(1)508-248-9321

**TORISHIMA MALAYSIA**

**TORISHIMA MALAYSIA SDN.BHD**  
 Suite 1906, 19th Floor Kenanga International  
 Jalan Sultan Ismail 50250 Kuala Lumpur,  
 Malaysia  
 Phone: (603)2715-0068 Fax: (603)2715-0019